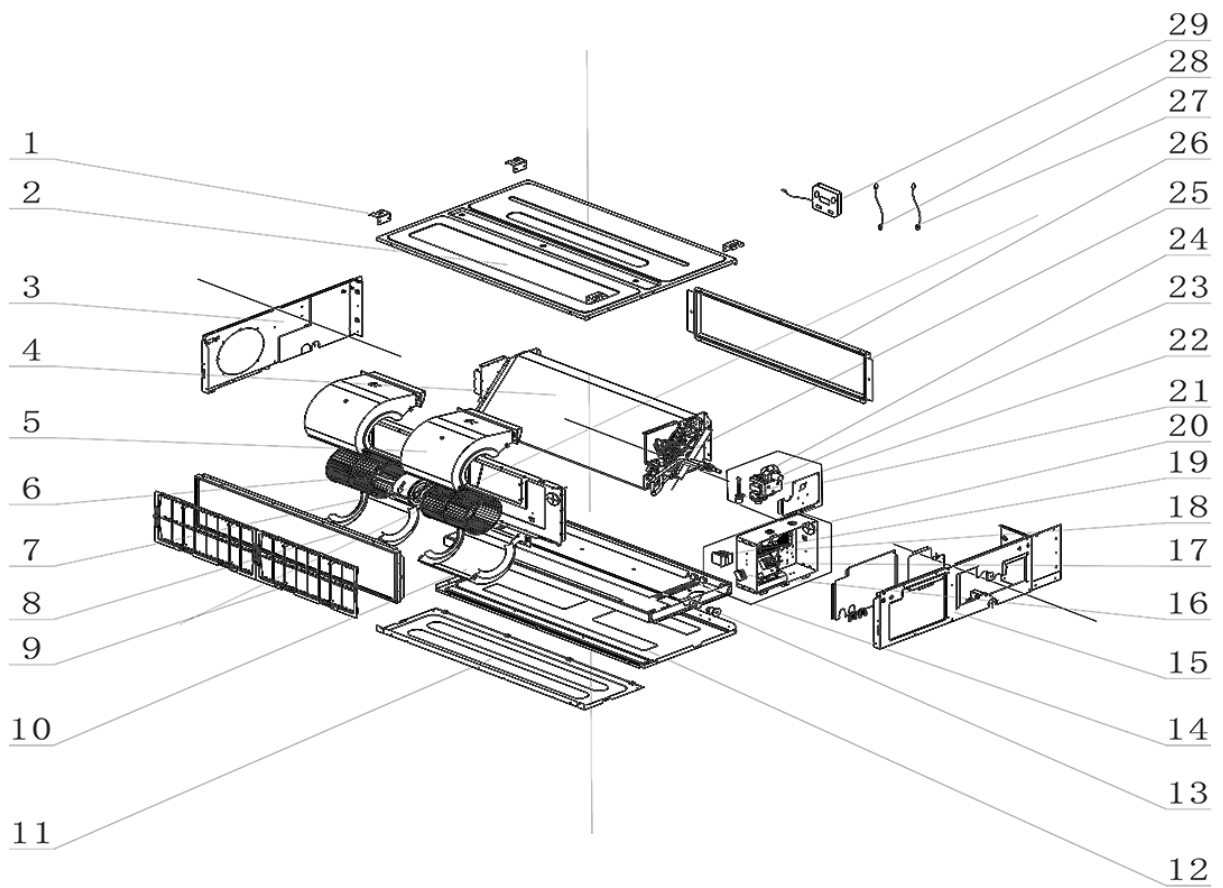


398700020 PACK R32 DUCT- ADGECOPLUS71PH

Rif. esploso	Codice	Descrizione	Qtà	Data inizio	Data fine	Disponibile	Da Matricola
1	GR012045060010	HOOK	4.00 NR	12/01/2023	n.a.		
4	GR011001061980	EVAPORATOR ASSY	1.00 NR	12/01/2023	n.a.		
6	GR103003060003	CENTRIFUGAL FAN GUD71PHS/A-T	2.00 NR	12/01/2023	n.a.		
7	GR150104060011	BRUSHLESS DC MOTOR	1.00 NR	12/01/2023	n.a.		
9	GR111001060189	FILTER SUB- ASSY	2.00 NR	12/01/2023	n.a.		
13	GR76815200002	RUBBER PLUG	2.00 NR	12/01/2023	n.a.		
14	GR000069060293	WATER TRAY ASSY	1.00 NR	12/01/2023	n.a.		
16	GR42200006005601	TERMINAL BOARD	1.00 NR	12/01/2023	n.a.		
17	GR42000100000207	TERMINAL BOARD	1.00 NR	12/01/2023	n.a.		
18	GR300002062359	MAIN BOARD	1.00 NR	12/01/2023	n.a.		
22	GR430024000005	LIQUID LEVEL SWITCH	1.00 NR	12/01/2023	n.a.		
23	GR81200706001607	WATER PUMP	1.00 NR	12/01/2023	n.a.		
24	GR760022000001	DRAINAGE PIPE(RUBBER)	1.00 NR	12/01/2023	n.a.		
25	GR0721212101	STRAINER	1.00 NR	12/01/2023	n.a.		
27	GR390000451	SONDA TEMPERATURA AMBIENTE	1.00 NR	12/01/2023	n.a.		
28	GR390000592	TEMPERATURE SENSOR 20KT- EH-2P-K3 600mm	1.00 NR	12/01/2023	n.a.		
29	GR31060921_X09681	DISPLAY CONTROLLER XE7A-24/H	1.00 NR	12/01/2023	n.a.		
29	GR300001061183	DISPLAY BOARD Wi-Fi ZR03511A	1.00 NR	01/04/2024	n.a.		00929561



|